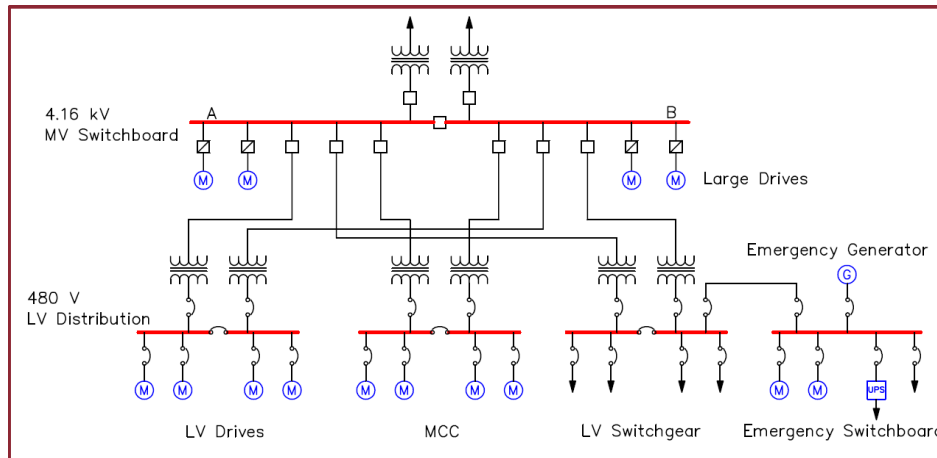


ELECTRICAL ONE-LINE DEVELOPEMENT

Power Systems & Controls can conduct a comprehensive site survey to develop a One-Line Diagram for your power “backbone”.



A one-line diagram, sometimes referred to as a “single-line diagram”, is not only an overview of your power flow, but also serves as the “Master” document for your facility’s electrical distribution system and, depending on the detail, the Power Engineer can determine specific loads with just a glance. This diagram is necessary to complete many of the tasks that will be required during the year as well as over time – some of these tasks are listed below under “*The One-Line Diagram Enables*”. There are many more unlisted items that will benefit from the One-Line Diagram, however the one that benefits the most is the Arc Flash Study.

NFPA-70E requirements mandate accurate, up to date one-lines. OSHA or VOSH uses this as reference.

THE ONE-LINE DIAGRAM ENABLES:

- Short Circuit Study
- Coordination Study
- Arc Flash Evaluation
- Grounding Assessment

THE ONE-LINE DIAGRAM BENEFITS:

- Starting point when troubleshooting the power path
- Visual tool for Facility Safety training
- Decrease Insurance premiums (NFPA 70E compliancy)

THE ONE-LINE DIAGRAM PROVIDES:

- Layout of all major connected loads
- Inventory of distribution equipment
- Future plans for equipment and loads
- Critical and non-critical loads busses
- Roadmap or quick snapshot of your power “Backbone” when looking for problem areas
- Main Entrance power thru Distribution Switchboards and possibly to connected loads