

SERIES PMD PROGRAMMABLE MULTI-DETECTOR

The **Series PMD** design is the capable of two Three-phase voltages being monitored simultaneously for a total of thirteen different voltage functions. Coupled with a built-in phase band monitor makes the PMD unbeatable. Each function is independently enabled and configured to activate one of eight (8) user-selectable outputs. Multiple functions can activate a single output allowing for one or even all of the functions activating a single output. Detector configuration is an easy as point and click using the provided configuration software. There are four (4) form-C relay outputs and four (npn current sinking type) digital outputs provided for convenience in interfacing to different types of control circuitry. An additional module is available to convert the four digital outputs to relay. An internal +12VDC power supply is provided for ease-of-use when using the digital outputs for relay operation. If desired an external +12VDC or +24VDC can be used.



Standard Equipment Features

- Setup performed on a computer and down-loaded into the detector.
- Four relay outputs for quick connection to existing wiring schemes.
- Four digital outputs and one digital input (12VDC or 24VDC) for connection to PLCs or relay ladder logic.
- Expanded functionality with 2 sets of three phase voltages applied to the detector.
- "Heartbeat" A 1 Hz 50% duty cycle pulse output to indicate detector operation.

- 4 MHz processor speed
- Stand alone operation
- RS232 serial communications

<u>Functions:</u>	<u>Source:</u>
High Voltage	VS1 & VS2
Low Voltage	VS1 & VS2
Under Frequency	VS1 & VS2
Over Frequency	VS1 & VS2
Phase Rotation	VS1 & VS2
Phase Loss	VS1 & VS2
Phase Band Monitor	VS1 & VS2

Optional Features

The microprocessor based detector uses the latest technology in high speed micro-controllers and non-volatile flash memory for signal measurement. Depending on the way the user sets-up the detector, this device will perform any one, or all, of the functions listed within. With one digital input and eight digital outputs the user has the ultimate control over what and how this detector does it's job.

VDR Source	Function	Enabled	Output	Value
1	Over V	Enabled	1	529
	Under V	Enabled	2	432
	Under F	Enabled	3	57
	Over F	Enabled	3	63
	Phase Rot	Enabled	4	
	Phase Loss	Enabled	2	
2	Over V	Enabled	5	529
	Under V	Enabled	5	432
	Under F	Enabled	6	57
	Over F	Enabled	6	63
	Phase Rot	Enabled	4	Serial
	Phase Loss	Enabled	5	
Both	Heart Beat	Enabled	7	
	PDM	Enabled	8	

Software Included

POWER SYSTEMS
& CONTROLS
THE POWER IS ON!

2901 Byrdhill Road * Henrico, VA 23228 * (804) 355-2803 * Fax (804) 358-0498

www.pscpower.com

System Specifications

Specifications

Control power: 120VAC
 Power requirements: 10VA
 Internal Power Supply: + 12VDC @ 100MA
 Dimensions: 7 13/16" x 5 3/8" x 2"
 Weight: 2 lbs.

Input

3 phase 4 wire: 200-250VAC or 380-480VAC
 System Frequency: 45-65 Hz
 Voltage Withstand: 1.2 time continuously
 1200VAC max

Digital I/O

1 Digital Input to enable the Phase Band Monitor
 4 (Current Sinking) Digital outputs.
 Optional Module Available to convert Digital I/O
 to form C contact.

Output Relays:

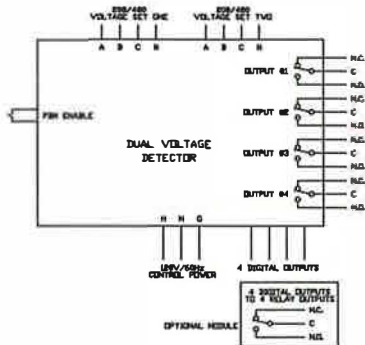
4 Form C type – SPDT outputs
 Rating AC: 125VAC @ .4A
 Rating DC: 24VDC @ 1A
 Operations: 1 billion mechanical
 3 million @ 24VDC

Set Point:

Repeatability: Better than .5%
 Range: Adjustable with included software

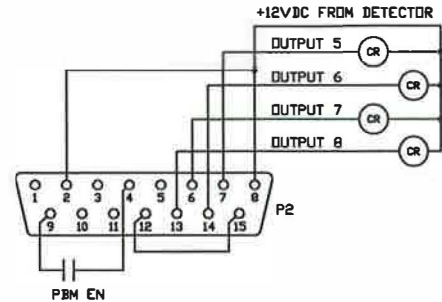
Nominal Input voltage sensing (For both voltage sets): 208V-480VAC
 Delta or Wye, three phase
 Frequency range: Up to 400Hz
 Digital outputs: 12VDC or 24VDC sinking type driver

Serial communications: RS232, 9600 Baud, eight bit with no parity. Software provided for detector setup.

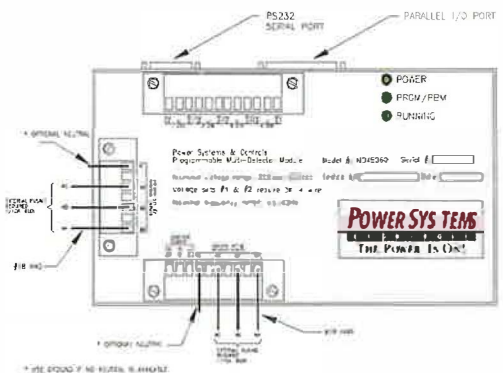
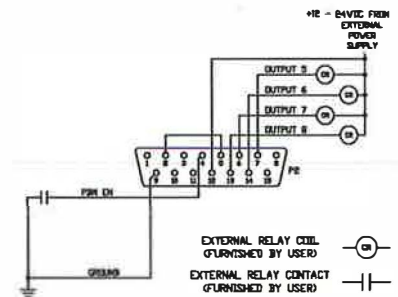


Power Systems & Controls reserves the right to improve, enhance and modify the features and specifications of its products and services without prior notification. Rev 4-23

USING INTERNAL POWER SUPPLY



USING EXTERNAL POWER SUPPLY



POWER SYSTEMS
 & CONTROLS
 THE POWER IS ON!